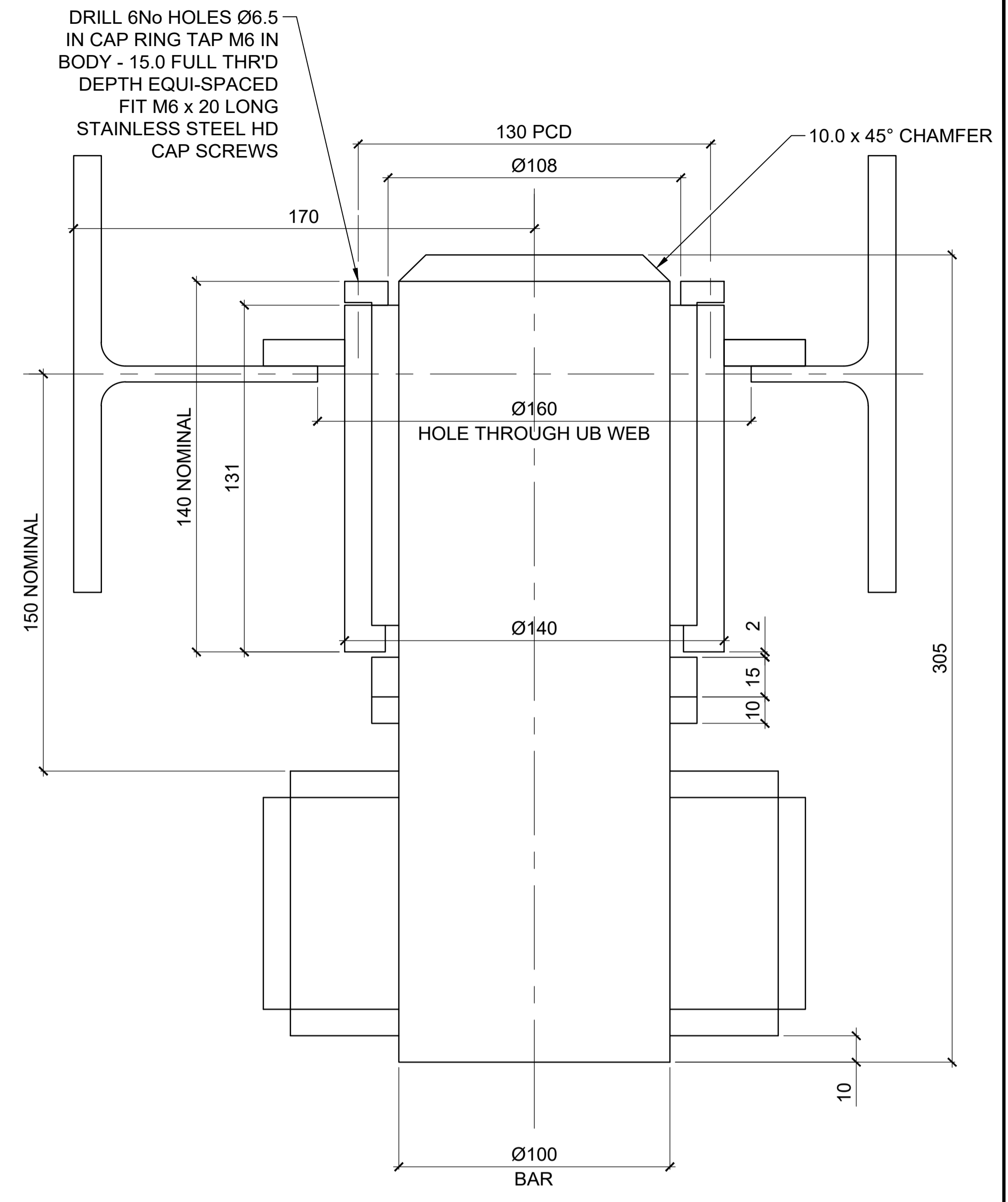
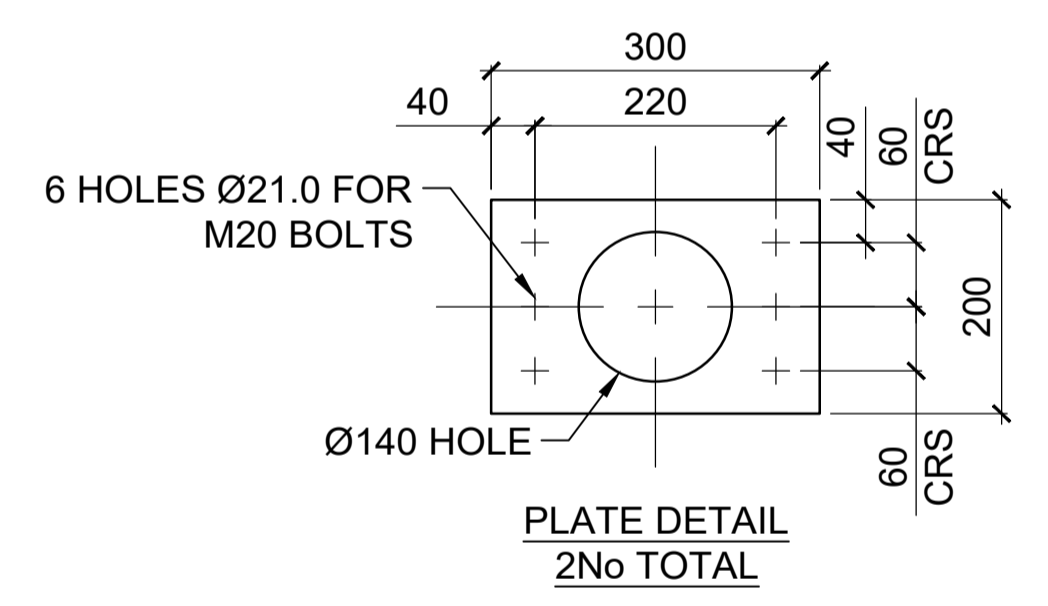
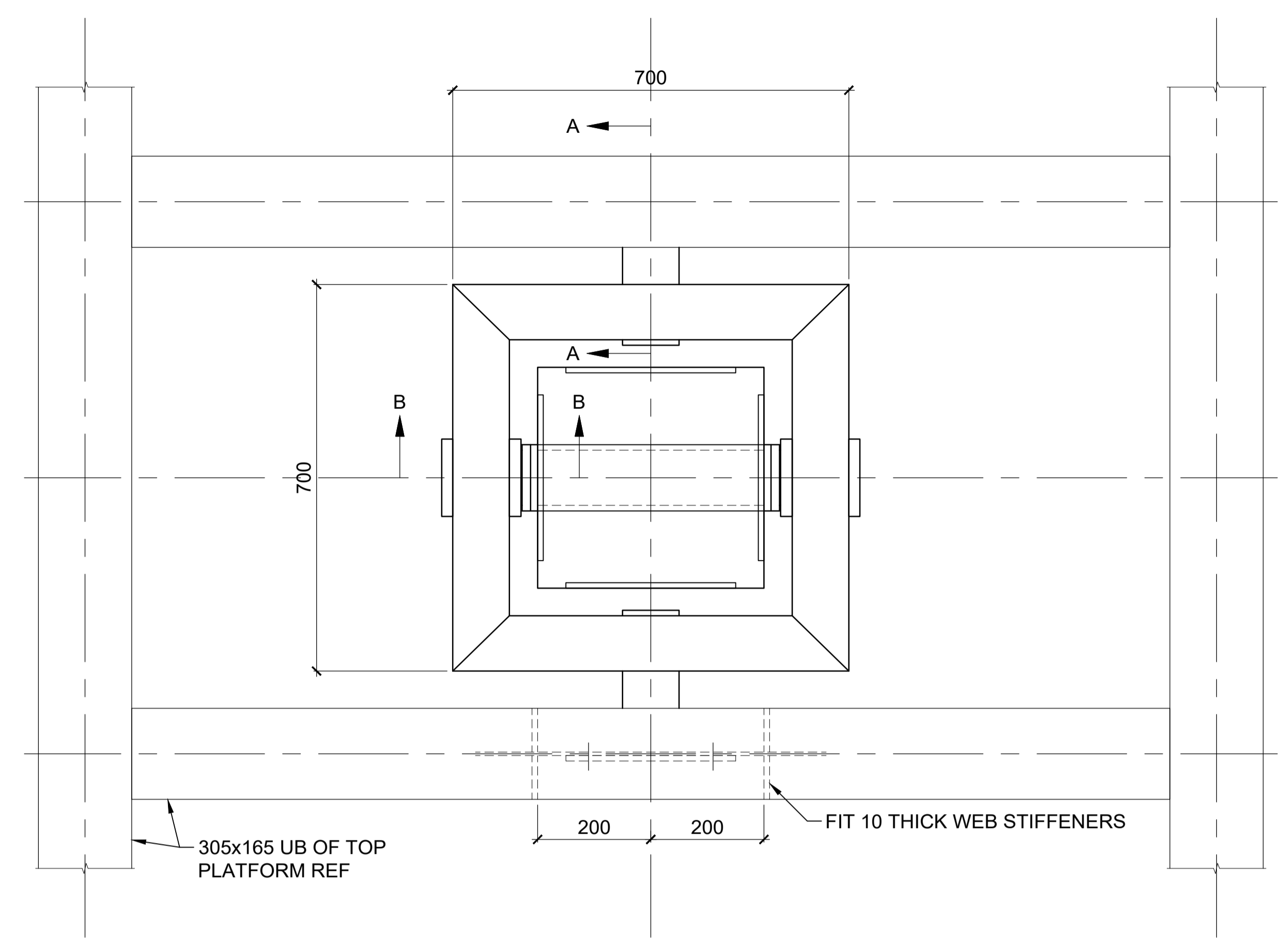


**SCRAP SECTION B - B**  
SCALE 1:1  
DIMENSIONS AS A - A



**SCRAP SECTION A-A**  
SCALE 1:1

<b>LEISURETEC</b>		ENGINEERING LIMITED
Telephone: Bracknell (0344) 423429		
DRAWN WJDS	ALL DIMENSIONS IN mm UNLESS STATED OTHERWISE	CLIENT EFFECTS ASSOCIATES
CHECKED BY		TITLE ROCKER GIMBAL DETAIL
DATE MAY '85	THIRD ANGLE PROJECTION	ASSEMBLED ON
SCALE 1:5 & 1:1		DRAWING NO. 353/2
© 1985 William John Douglass Stoyle		